

INSTALLATION STEP

Recommend to Connect Battery Negative Pole

(If no position for negative installation, connect positive pole)

STEP 1

Move off the buckle from the negative pole of the battery

(NOTE: If install on positive pole, move off from positive pole.)

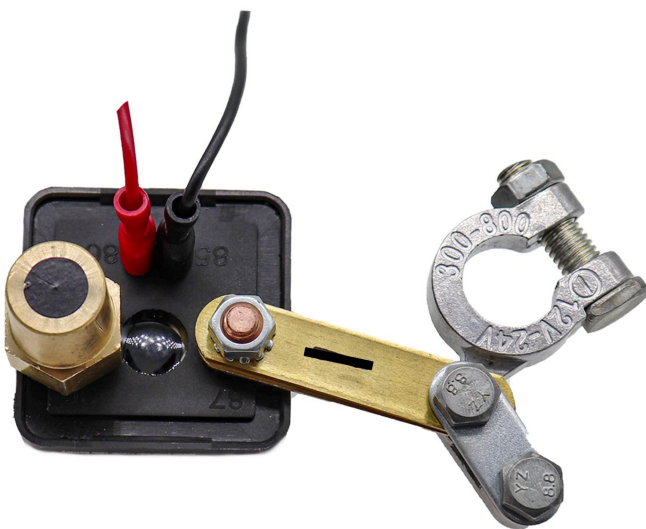


BUCKLE

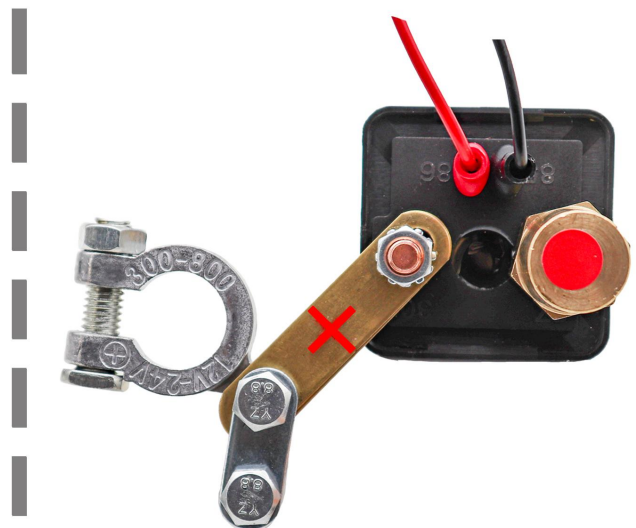
STEP 2

Please refer to the picture below, install the accessories.

Make sure two Copper Plates are placed together.



Negative Installation Diagram



Positive Installation Diagram

STEP 3

Connect Switch to Battery with referring to the diagram.



Negative Installation Diagram



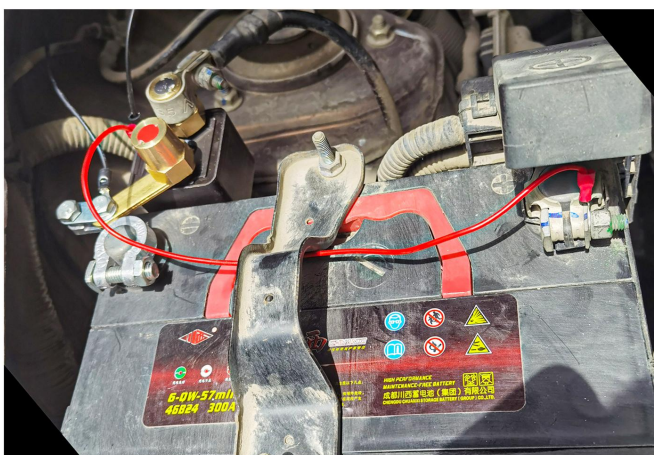
Positive Installation Diagram

STEP 4

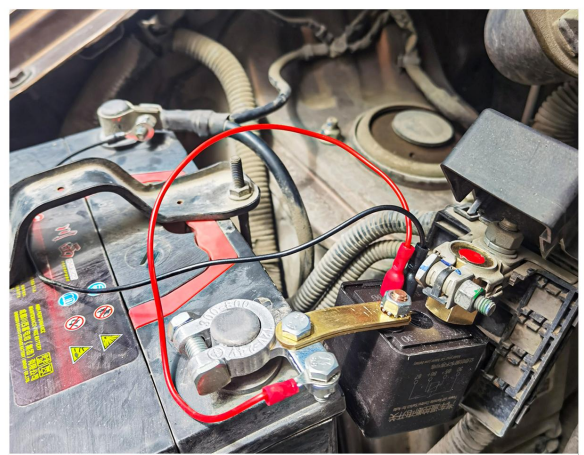
Connect the red wire to the battery positive pole.

Connect the black wire to the battery negative pole.

Remote Controller "on" power on, "off" power off.

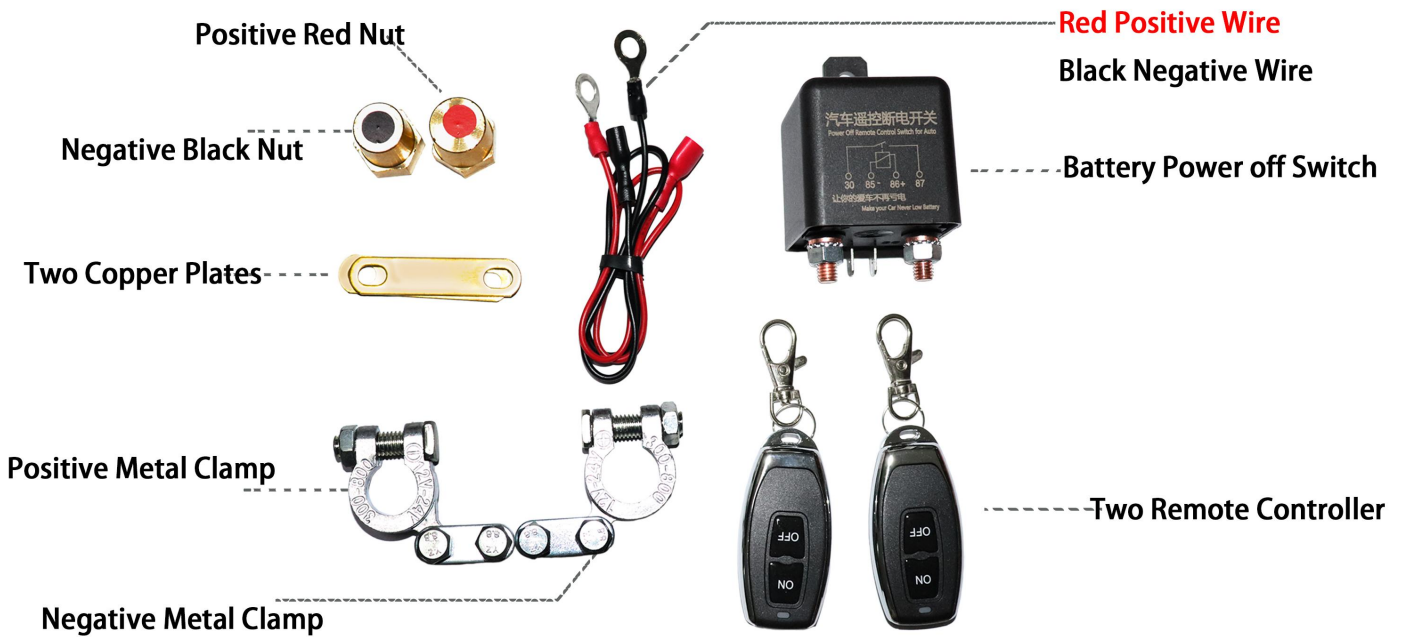


Negative Installation Diagram

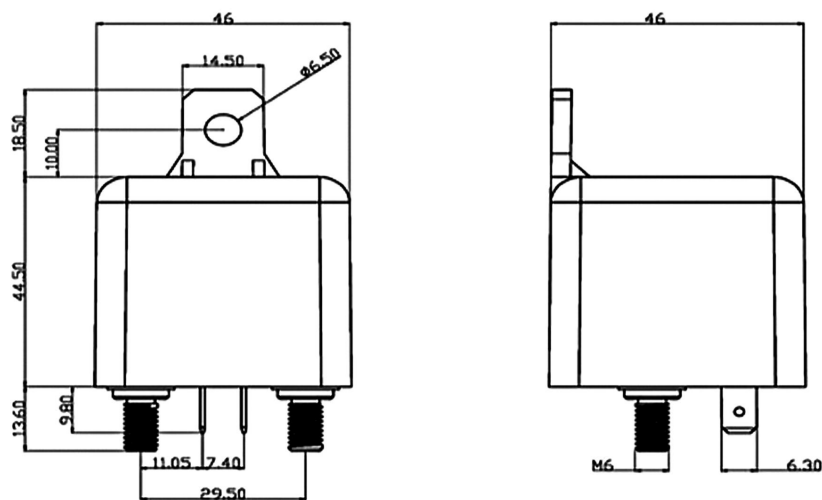


Positive Installation Diagram

Product and Accessories

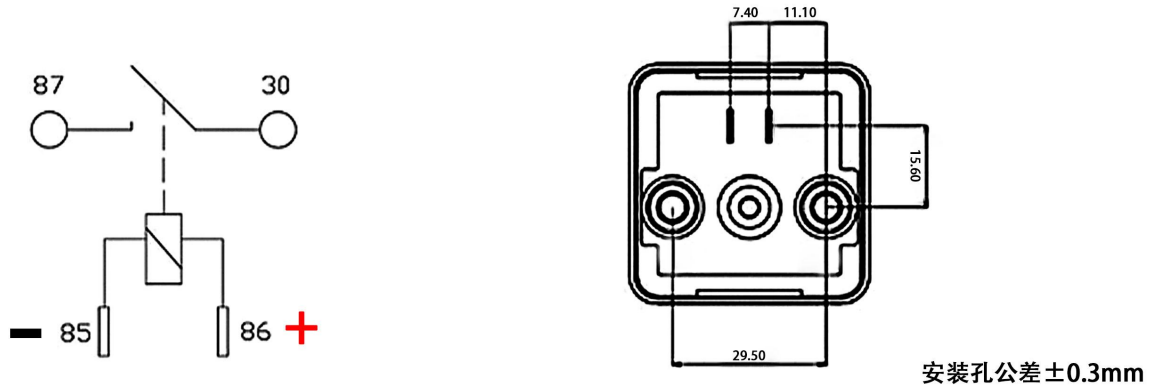


Dimension



备注：（1）产品部分外形尺寸未注尺寸公差，当外形尺寸 $\leq 1\text{mm}$ ，公差为 $\pm 0.2\text{mm}$ ；
当外形尺寸在（1~5）mm 之间时，公差为 $\pm 0.3\text{mm}$ ；当外形尺寸大于 5mm 时，公差为 $\pm 0.4\text{mm}$ ；

Installation Diagram



Coil Ratings 线圈参数

Specification 规格	Coil Volt.(VDC) 线圈电压		Coil Resistance 线圈电阻 (Q±10%)	Pickup Vol VDC(max.) 最大启动电压	Release Vol. VDC (min.) 最小释放电压	Coil Power 线圈功率	Operate Time 启动时间	Release Time 释放时间
	Rated 额定	Max. 最大						
12V 2.4W	12	15.6	60	7.8	1.2	2.4W	≤ 10ms	≤ 5ms
24V 2.4W	24	31.2	240	15.6	2.4	2.4W		
12V 4.8W	12	15.6	80	7.8	1.2	4.8W	≤ 10ms	≤ 5ms
24V 4.8W	24	31.2	320	15.6	2.4	4.8W		

Operation Condition 工作条件

Insulation 绝缘电阻	100MΩmin(at 500VDC)	Item 7 of IEC 60255-5	
Dielectric Strength 介质耐压	Between contacts	50Hz500V	Item 6 of IEC 60255-5
	Between coil and contacts	50Hz500V	Item 6 of IEC60255-5
Shock Resistance 抗冲击	147m/s ²	IEC 68-2-27 Test Ea	
Vibration Resistance 抗震动	10-40Hz double amplitude 1.5mm	IEC68-2-6 Test Fc	
Terminals Strength 引出端强度	20N	IEC 68-2-21 Test Ua1	
Solderability 可焊性	235°C±2°C 3±0.5s	IEC 68-2-20 Test Ta method1	
Ambient Temperature 环境温度	-40°C--85°C		
Relative Humidity 相对湿度	85%(at 40°C)	IEC68-2-3 Test Ca	
Mass 重量	104g		

Contact Rating 触点参数

Contact form 触点形式	1H(SPSTNO)	
Contact material 触点材料	AgSnO ²	
Contact rating(resistive) 触点负载(阻性)	200A/14VDC	
	60A/28VDC	
Max.Switching Voltage 最大切换电压	40VDC	
Max.SwitchingCurrent 最大切换电流	200A	
Max.SwitchingPower 最大切换功率	2400	
Contact Resistance 接触电阻	≤ 30mΩ	Item4.12 of IEC61810-7
Electrical Endurance 电气寿命	1*105	Item 4.30 of TEC61810-7
Mechanical Endurance 机械寿命	1*107	Item4.31 of TEC61810-7